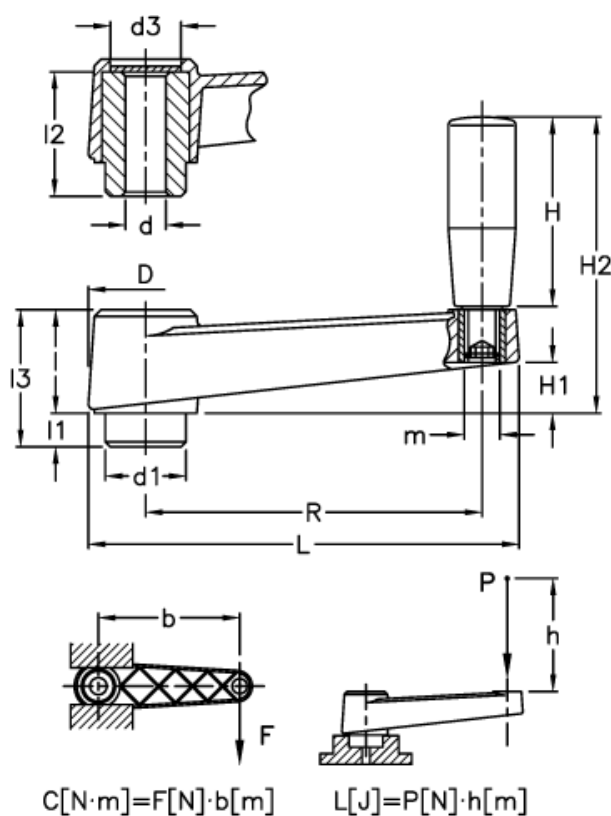


Article number: 2301044201
 Description: E+G Crank handle
 MT.80-A10

Measures



C (N m) = 180	l	= 26
D = 30	L	= 105
d1 = 22	L (J) = 15	
d3 = 17	l1 = 10	
d H7 = 10	l2 = 32	
H = 50	l3 = 36	
H1 = 13	m = M6	
H2 = 76	R = 80	